



IP 65



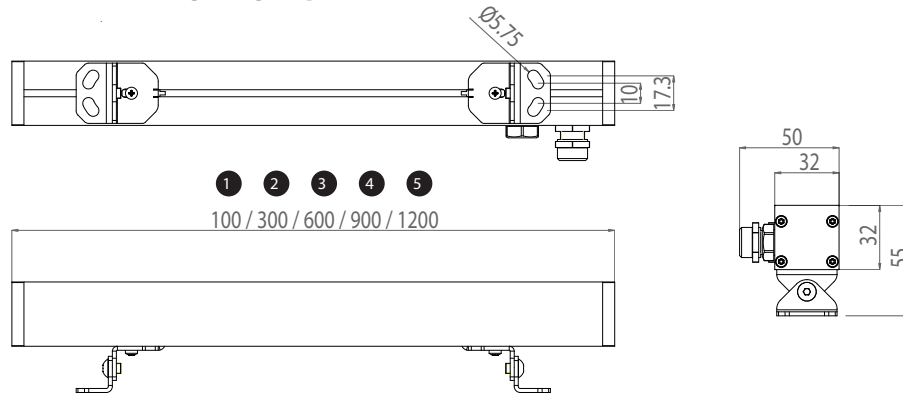
- IT** Istruzioni di montaggio
- EN** Installation Guide
- DE** Instructions de montage
- FR** Montageanleitung
- ES** Instrucciones de montaje



IP 65



TECHNICAL DATA



MINI CORNICHE IP65
Gruppo rischio /Risk group 1 (EN 62471:2008)

Categoria Category Kategorie Catégorie Categoría	Classe energetica Energy label Energieeffizienzklasse Note de l'énergie Clasificación de energía	Alimentazione Power supply Versorgung Alimentation Alimentación		
3W LED	III	24V DC	1	
9W LED	III	24V DC	2	
18W LED	III	24V DC	3 4	
27W LED	III	24V DC	4	
36W LED	III	24V DC	5	
1,5W SOFT LED	III	24V DC	1	
5W SOFT LED	III	24V DC	2	
10W SOFT LED	III	24V DC	3	
15W SOFT LED	III	24V DC	4	
20W SOFT LED	III	24V DC	5	
DYNAMIC	4.5W RGB LED	III	max 500mA	1
	11.6W RGBW LED	III	max 500mA	2
	23.2W RGBW LED	III	max 500mA	3
	34.8W RGBW LED	III	max 500mA	4
	46.4W RGBW LED	III	max 500mA	5



IP65



TECHNICAL INFORMATION

IT

INFORMAZIONI TECNICHE

Corpo in lega di alluminio estruso verniciato e resistente alla corrosione. Viti in acciaio inox A4. Protezione con trattamento di anodizzazione, fondo con polveri epossidiche e verniciatura poliester. Alimentazione da realizzare esternamente con trasformatore a tensione continua da 24V DC. Valvola Gore per impedire la formazione di condensa all'interno del prodotto.

EN

TECHNICAL INFORMATION

Body made of extruded, corrosion resistant, aluminium alloy. A4 stainless steel screws. Protection with anodizing treatment, epoxy powder base coating and polyester painting. External power supply by 24V DC transformer. Gore valve to prevent condensation inside the product.

DE

TECHNISCHE INFORMATIONEN

Gehäuse aus Aluminium-Strangpress, korrosionsbeständig. Schrauben aus Edelstahl A4. Oberflächenbehandlung: Anodisierung, Epoxy-Pulvergrundierung und Polyester-Pulverbeschichtung. Gore-Tex-Ventil zur Verhinderung von Kondenswasserbildung im Leuchteninnenraum. MINI CORNICHE Full Inox: Gehäuse aus Edelstahl AISI 316L, elektropoliert. Schutzart IP68 Full Dry mit Vorrichtung zur Verhinderung von Kondenswasserbildung im Leuchteninnenraum. Die Schutzart IP68 wird nur garantiert bei Einsatz einer Kabelverbindung an die Netz-Zuleitung gleichfalls in IP68.

FR

INFORMATIONS TECHNIQUES

Corps en aluminium extrudé résistant à la corrosion. Vis en Acier inox A4. Protection de l'ensemble par traitement d'anodisation, avec primaire époxy et peinture polyester. Alimentation déportée, courant continu de 24 V DC. Valve en Gore évitant la formation de condensation à l'intérieur du produit.

ES

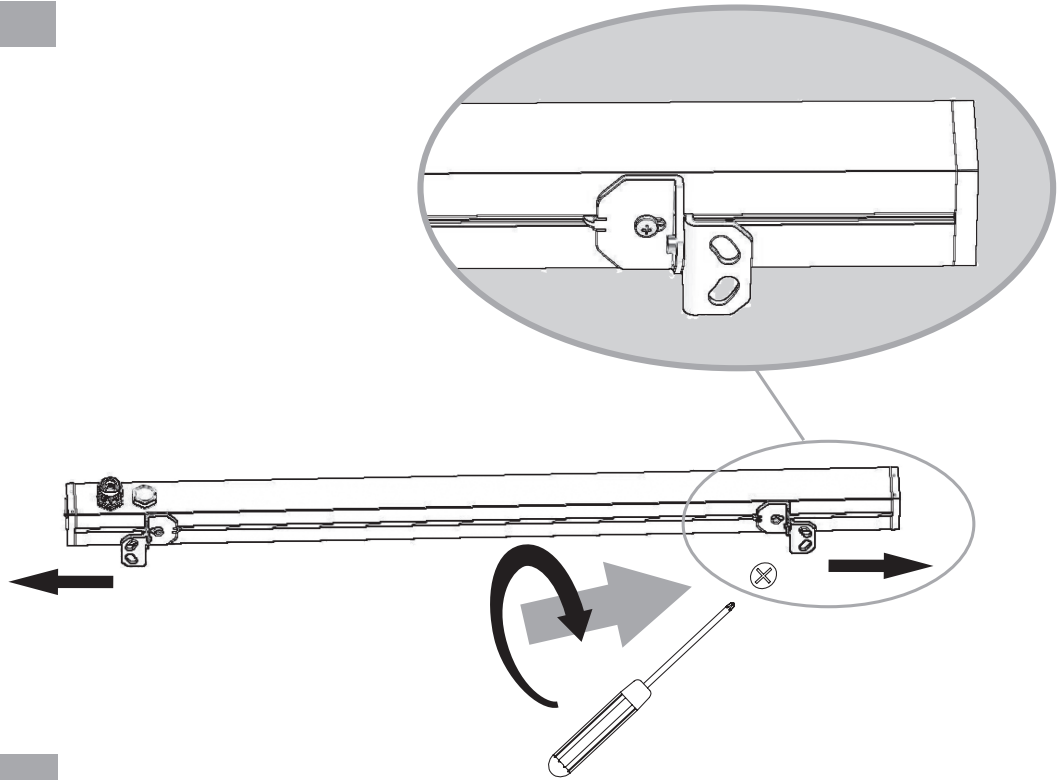
INFORMACIÓN TÉCNICA

Cuerpo de aleación de aluminio extrusionado con recubrimiento resistente a la corrosión. Tornillos de acero inoxidable A4. Protección con tratamiento anódico, base de polvo epoxídico y pintura de poliéster. Alimentación eléctrica externa con transformador de corriente continua a 24V DC. Válvula de Gore para impedir la formación de condensación en el interior del producto.

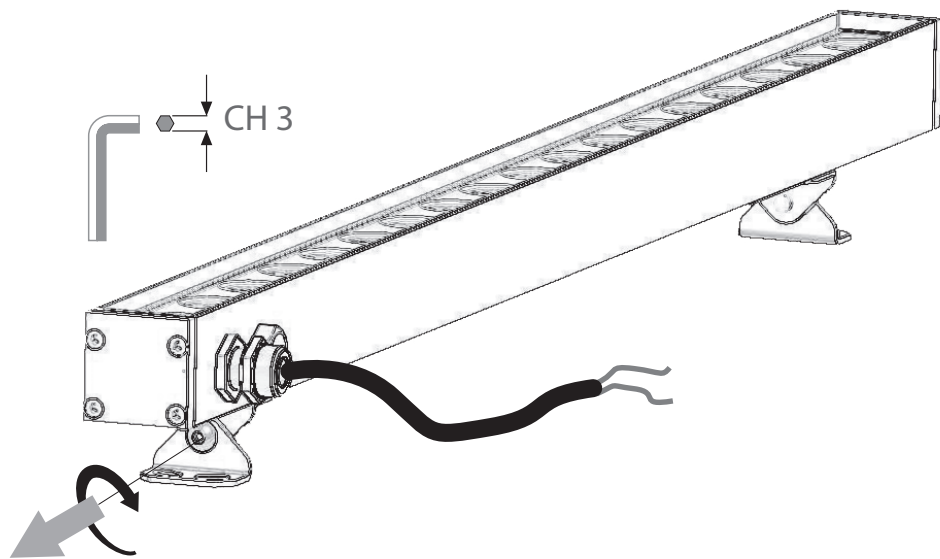


INSTALLATION

1



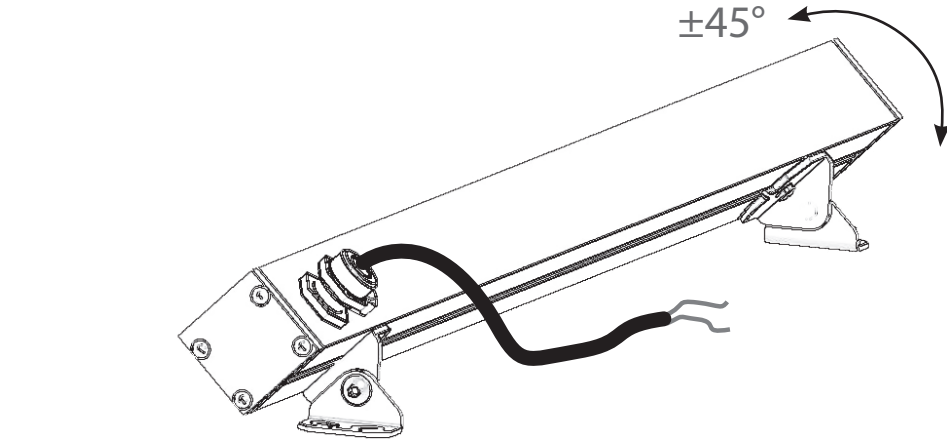
2



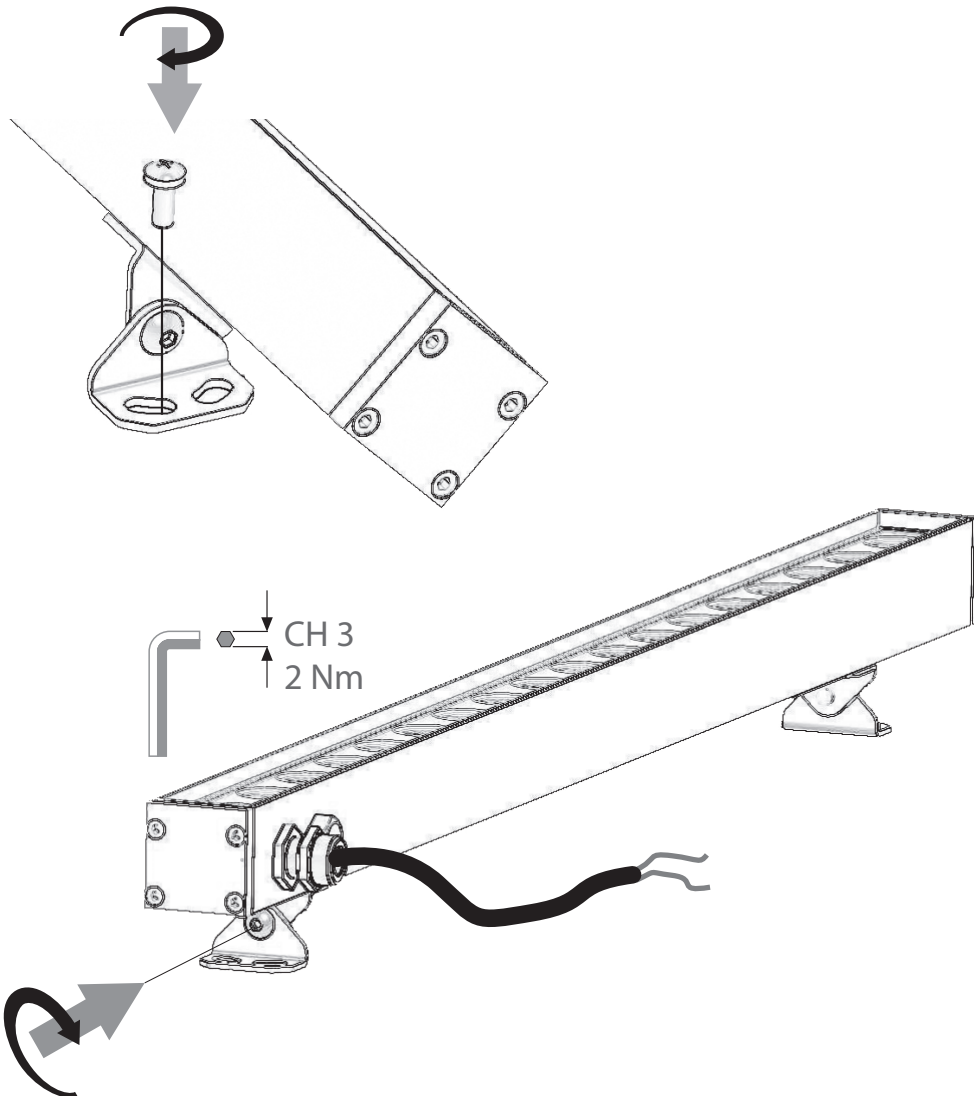


3

$\pm 45^\circ$



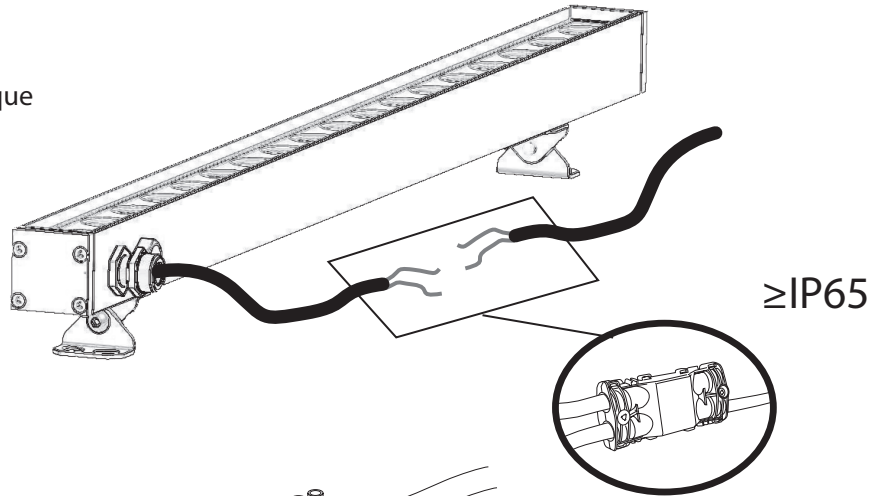
4



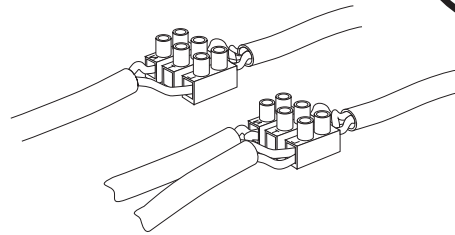


INSTALLATION

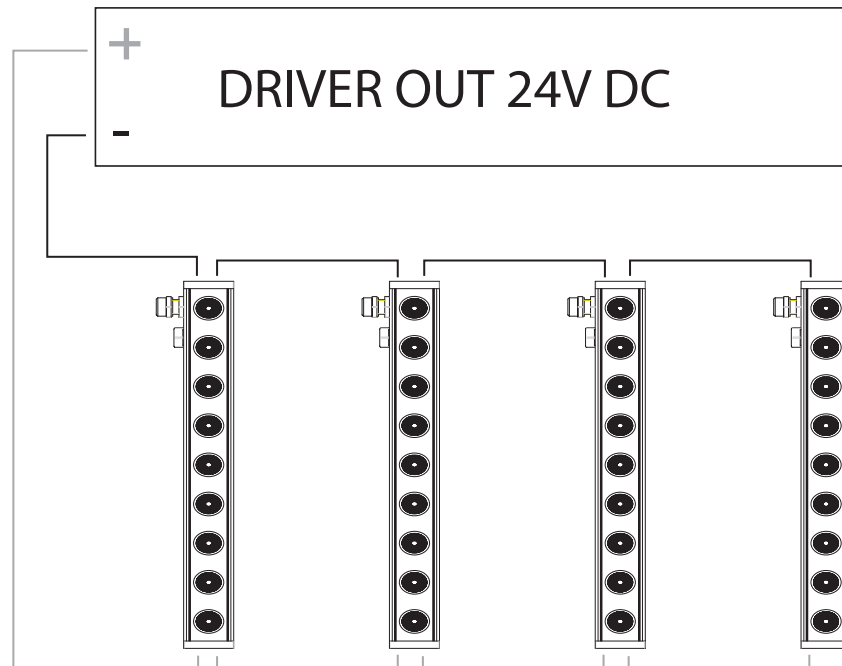
- IT** Collegamento elettrico
- EN** Electric connection
- DE** Elektrischer Anschluss
- FR** Raccordement électrique
- ES** Conexión eléctrica



- IT** Connettore non fornito
- EN** Connector not supplied
- DE** Kabelverbinder bauseits
- FR** Connecteur non fourni
- ES** Conector no suministrado



Parallel wiring

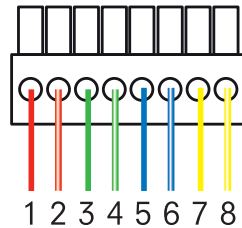


INSTALLATION

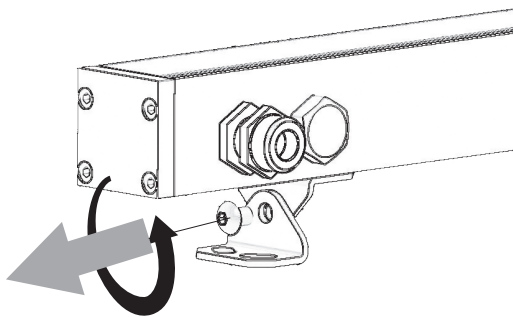
DYNAMIC



SERIAL
CONNECTION

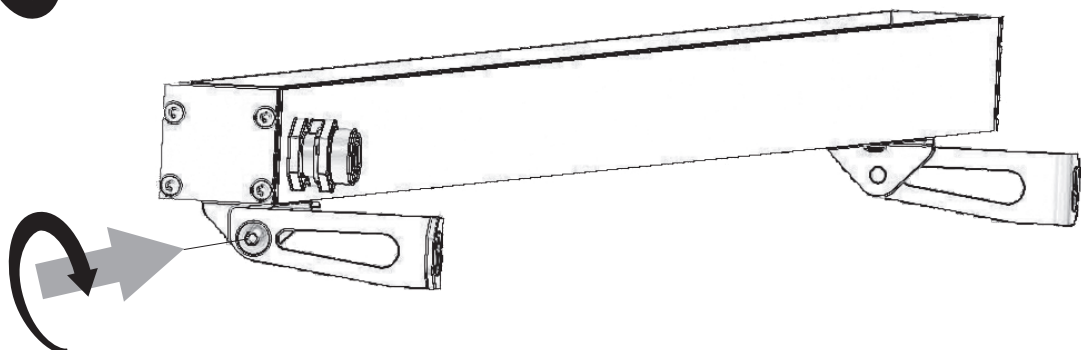


- 1 - Red (CH 1+)
- 2 - Red/White (CH 1-)
- 3 - Green (CH 2+)
- 4 - Green/White (CH 2-)
- 5 - Blue (CH 3+)
- 6 - Blue/White (CH 3-)
- 7 - Yellow (CH 4+)
- 8 - Yellow/White (CH 4-)



L9A10200

L9A10300



Post Sales Support

HQ 1-800-388-3382 support@zaneen.com



EN

- Installation and electrification must be carried out by a qualified electrician, only.
- Observe all relevant building codes and regulations.
- Prior to installation or repair: disconnect power; it is the installer's responsibility to ensure for all electrical, mechanical and thermal compatibility.
- The LED light source contained in this fixture shall only be replaced by Zaneen, or a person approved by Zaneen.
- Recommendations: Keep the instruction sheet(s) in the event of maintenance and/or disassembly.

Access detailed spec sheets from www.zaneen.com

FR

- L'installation et l'électrification doivent être effectuées uniquement par un électricien qualifié.
- Respectez tous les codes du bâtiment et réglementations en vigueur.
- Avant l'installation ou la réparation: débranchez l'alimentation électrique; Il incombe à l'installateur des'assurer de la compatibilité électrique, mécanique et thermique.
- La source de lumière LED contenue dans ce luminaire ne doit être remplacée que par Zaneen, ou une personne approuvée par Zaneen.
- Recommandations: Conservez la (les) fiche (s) d'instructions en cas de maintenance et / ou de démontage

Accéder aux fiches techniques détaillées sur www.zaneen.com

Disclaimer: Applicable only when Zaneen's lighting fixtures are properly installed on correct line voltage, and under normal conditions of use.

Zaneen Warranties are itemized below:

- All products to be free from defect in materials and workmanship: 1 Year (12 months) Limited Warranty from the invoice date (excluding lamps)
- LED engines and Power Supplies: 5 Years Limited Warranty from the invoice date.
- Transformers and Ballast Warranty: 3 years Limited Warranty from the invoice date.
- Purchaser's sole recourse after the warranty period, for defective power supplies, ballasts or other components manufactured by a third party, is against such third-party manufacturer.

Warranty claims regarding the product(s) must be submitted in writing within 30 days, of discovery of the defect.

Zaneen uses only electrical components, which are produced by responsible manufacturers. Components that may fail in service within the warranty period, under normal use, will be replaced at no charge.

Zaneen will not assume labour or transportation charges in connection with replacement of such parts, nor for removal or re-installation of equipment or parts, nor for consequential damages or losses.

The warranty extended to Zaneen by the manufacturers of the electrical components is passed on to our customers.

At its option, Zaneen will repair or replace, any fixture defective as provided herein if such fixture is returned by the purchaser within the warranty period, provided Zaneen has issued a written "Return Goods Authorization". Such repair or replacement is the exclusive remedy against Zaneen and Zaneen is not responsible for damage of any sort whatsoever, including incidental and consequential damages or losses.

This warranty extends only to replacement defective fixtures or components and no allowance will be made for labour or transportation charges in connection with replacement of such parts, nor for removal or re-installation of equipment or parts unless specifically authorized in writing by Zaneen prior to any work being performed.

This warranty only applies when the products are installed in applications in which ambient temperatures are within normal temperatures and are operated within the electrical values shown on the LED driver label.

Zaneen Interior rated luminaries are not protected from environmental conditions, such as salt content from sea air. Therefore, any damages resulting from exposure to salt air, or other harmful environmental conditions, will not be covered under Zaneen Warranty.

Zaneen will not be responsible under warranty for any failure of the product that results directly or indirectly from improper installation and/or external causes such as: acts of nature, physical damage, and exposure to adverse or hazardous chemicals or other substances, use of harsh cleaning agent or harsh chemicals.

Warranty for any substantial deterioration in the product finish caused by failure to clean, inspect or maintain the finish of the product. The end user is responsible for the structural integrity of existing foundations, anchorages, or structures and all consequences arising from their use.

Zaneen will not be responsible under warranty for any failure of the product that results directly or indirectly from improper installation and/or external causes such as: acts of nature, physical damage, and exposure to adverse or hazardous chemicals or other substances, use of harsh cleaning agent or harsh chemicals.

The end user is responsible for the structural integrity of existing foundations, anchorages, or structures and all consequences arising from their use.